

# FISCO X2 CROSS- LINE LASER

● THE NEW COMPACT, VERSATILE,  
AUTO-LEVELLING LASER

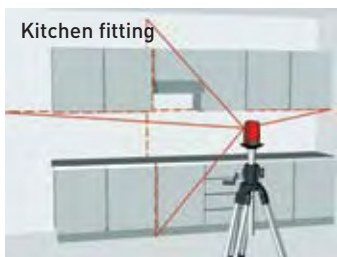
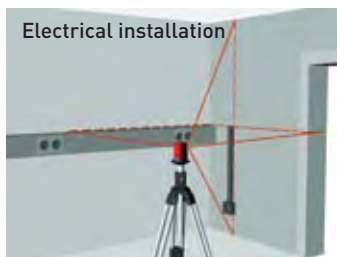


Made for Professionals by Professionals

# SMALL, HANDY & PRECISE!

The X2 Cross-Line is a compact, easy-to-operate, auto-levelling laser developed particularly for interior projects. It projects bright laser lines and the choice of four operating functions from a single operating button, makes common installation work such as installing fitted kitchens, electrical sockets and shelving quick, accurate and easy to achieve.

## PROFESSIONAL APPLICATIONS



## HIGH RELIABILITY

### Auto-levelling

- Cardan pendulum system
- Out of level warning & auto shut-off



### Highly engineered

- Built for precision measuring
- Transport lock protection



### Versatile switchable line options

- 2 laser diodes
- Switch to cross beams, level or plumb lines



### First class service & support

- Professional help desk
- Technical back-up



### 2 year warranty

- The reassurance of professional quality



## X2 SPECIFICATION

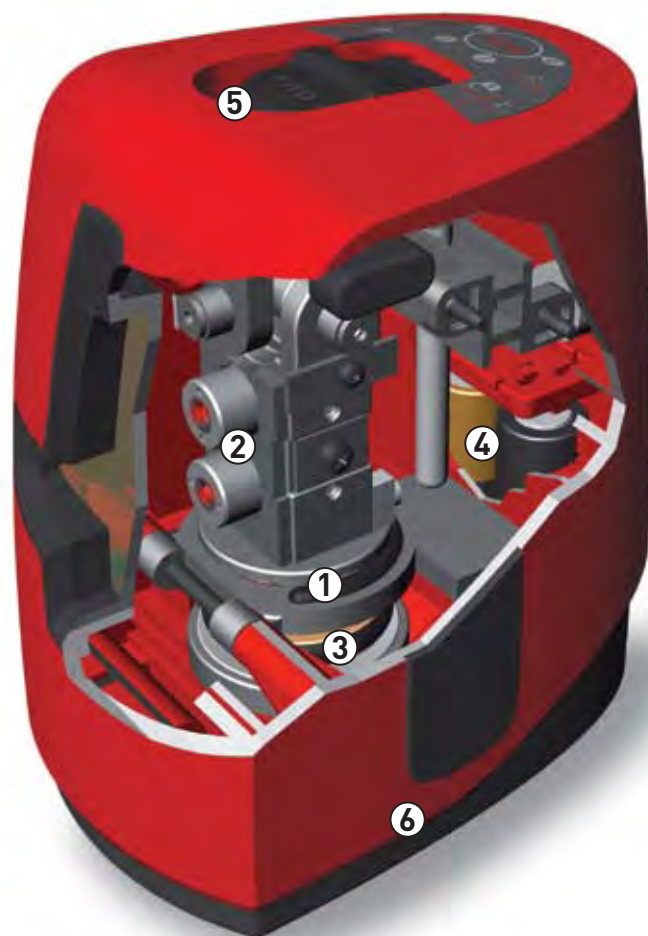
- Auto-levelling range within  $\pm 5^\circ$
- 2 x 635 nm / < 5mW wavelength
- Class 2/EN 60825-1:2003-10
- Power output < 1mW
- Operating range: 15m radius (max)
- Weight: 400g
- Operating time: 12hr approx. (at 20°C)
- Power supply: 2 x 1.5 V AA
- Operating temperature: 0 to +40°C
- Max. measuring tolerance:  $\pm 1.0\text{mm/m}$  or  $0.057^\circ$

FOR MORE INFORMATION CALL:

**+44 (0)1268 747074**

FISCO TOOLS LIMITED, BROOK ROAD, RAYLEIGH, ESSEX SS6 7XD  
 FAX: +44 (0)1268 772936 E-MAIL: sales@fisco.co.uk WEB: www.fisco.co.uk

0-1661-142

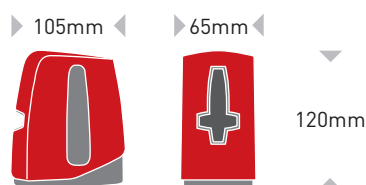


- ① Cardan pendulum
- ② Laser diodes
- ③ Magnetic damping element
- ④ Battery compartment
- ⑤ Integrated transport protection
- ⑥ Tripod thread 5/8in

## PRODUCT CODE & UNIT DIMENSIONS

EL-S0-X2

- Set includes:  
 X2 Cross-line Laser  
 Transport bag with belt clip



DEALER STAMP: