

FISCO NIVOLINE POINT LASER SET

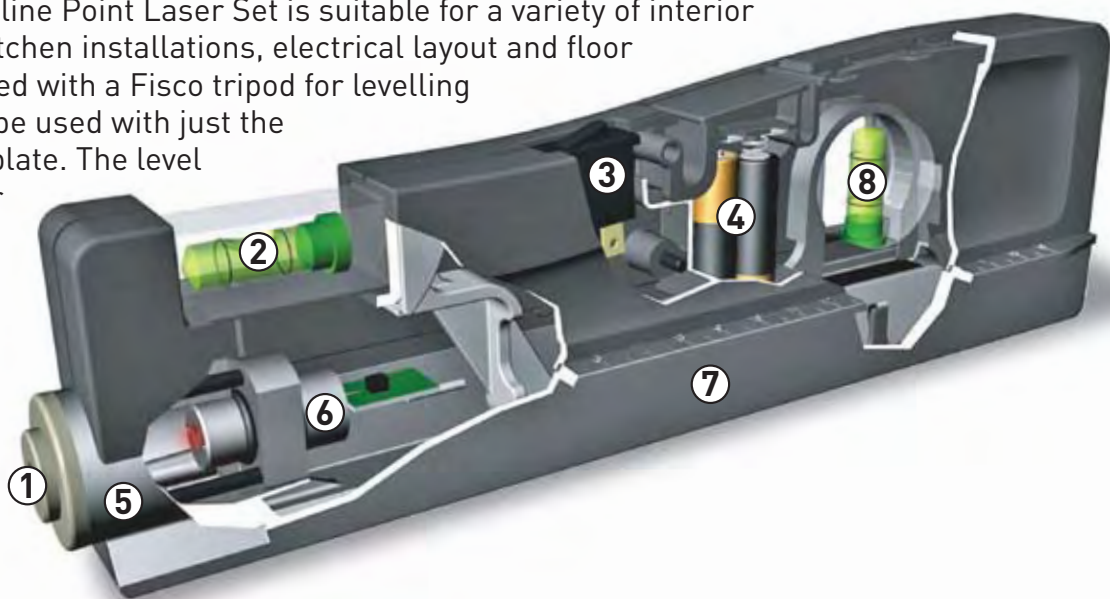
THE MULTI-PURPOSE, PRECISION
LASER LEVELLING SET



Made for Professionals by Professionals

LEVELLING MADE EASY!

The multi-purpose Nivoline Point Laser Set is suitable for a variety of interior applications, such as kitchen installations, electrical layout and floor levelling. It is ideally used with a Fisco tripod for levelling around a room but can be used with just the supplied rotating base plate. The level has a magnetic base for use on metal surfaces and a magnetic adapter for mounting a penta-prism or beam splitter. The height of the laser beam above the base is clearly indicated on the unit side for accurate position marking.



HIGH RELIABILITY

Multiple uses

- Can be used for many applications
- Magnetic base for ferrous surfaces and pipes



Highly engineered

- Designed for professionals
- Built for trade site use



Impact resistant vials

- Long service life
- Highly accurate



First class service & support

- Professional help desk
- Technical back-up



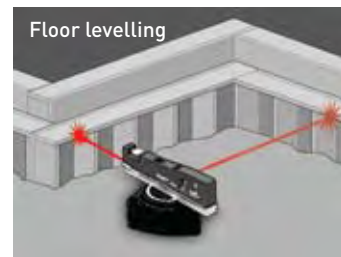
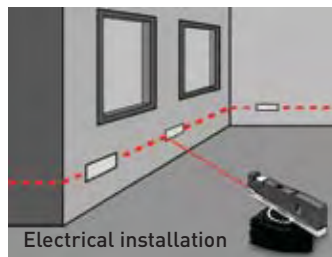
2 year warranty

- The reassurance of professional quality



- | | |
|--------------------------|------------------------|
| ① Laser aperture | ⑤ Lens |
| ② Horizontal vial holder | ⑥ Heat sink |
| ③ On/off switch | ⑦ Aluminium base |
| ④ Battery compartment | ⑧ Vertical vial holder |

PROFESSIONAL APPLICATIONS



NIVOLINE SPECIFICATION

- 1 x 650 nm wavelength
- Class 2/EN 60825-1:2003-10
- Power output <1 mW
- Operating range: 50m (max)
- Point size at 10m: 6mm approx.
- Operating time: 16hr approx. (at 20°C)
- Power supply: 2 x 1.5 V AAA
- Operating temperature: -10 to +40°C
- Maximum measuring tolerance:
Laser: $\pm 0.25\text{mm/m}$ or 0.014°
Vial: $\pm 0.5\text{mm/m}$ or 0.029°

PRODUCT CODE & UNIT DIMENSIONS

EL-S0-NIVK

- Set includes:
Nivoline laser with magnetic shoe
Adjustable base
Target
Transport box



FOR MORE INFORMATION CALL:

+44 (0)1268 747074

FISCO TOOLS LIMITED, BROOK ROAD, RAYLEIGH, ESSEX SS6 7XD
FAX: +44 (0)1268 772936 E-MAIL: sales@fisco.co.uk WEB: www.fisco.co.uk

DEALER STAMP: